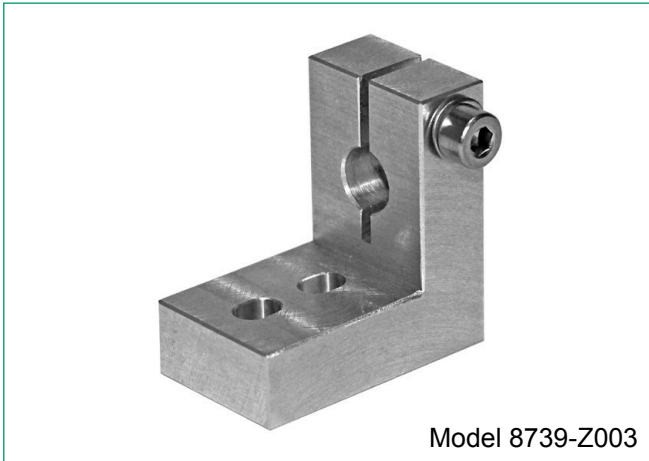


## Accessories for Displacement Sensors

### Models 8739 and 8738-DK805/DK812/DK830 (shaft)



- Sensor - fixing bracket

Mounting of the sensor body by clamp.

It is important to ensure that the sensor housing is not too tightly clamped when mounting. Although the shaft has been specially hardened, excessive tightening torques should be avoided (max. 0.6 Nm).

The accuracy of the measurement depends on the parallelism achieved during assembly; the mounting bracket should be designed and machined in such a way that the parallelism of the measuring head to the surface achieved during assembly is kept within 0.3 mm / 100 mm.

